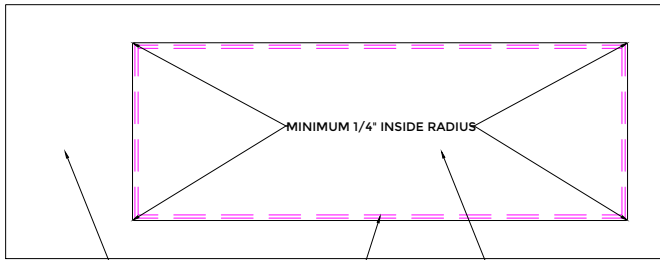


TOP VIEW



CAMBRIA PRODUCT

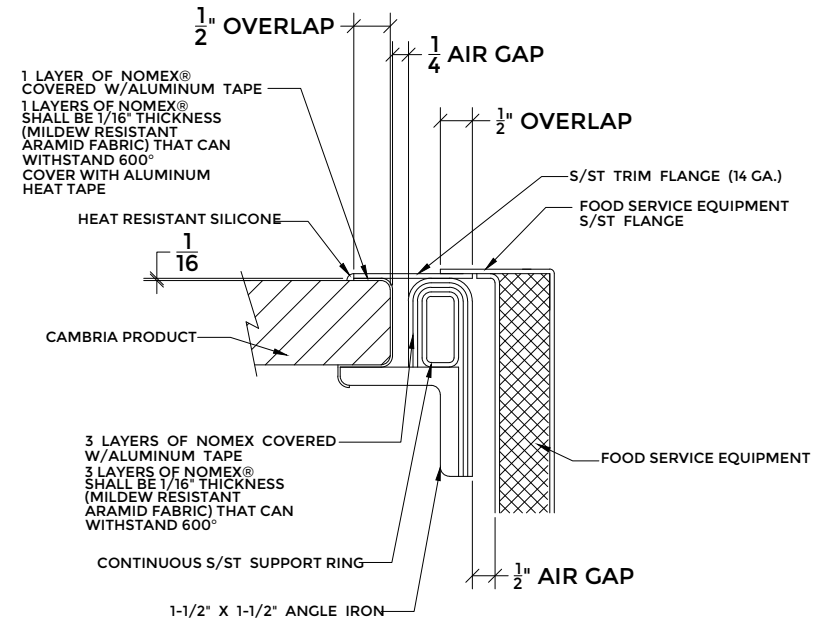
SUPPORTING STRUCTURE

HEAT WELL CUTOUT
(COLD WELL CUTOUT)

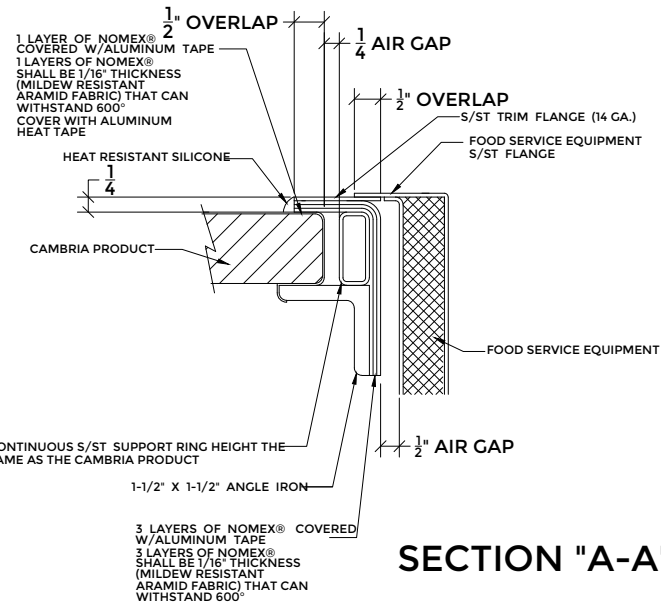


SECTION "A-A"

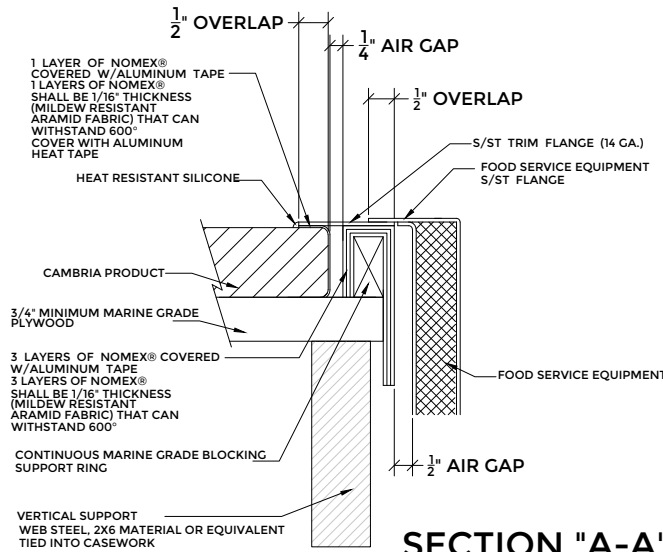
OPERATOR VIEW



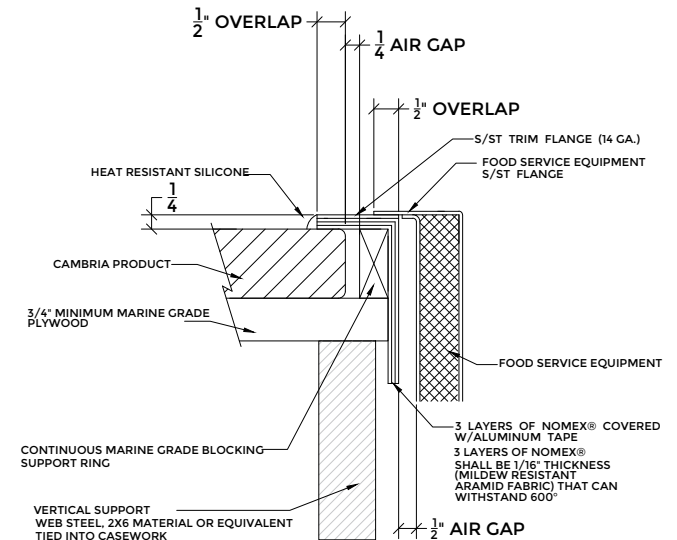
SECTION "A-A"



SECTION "A-A"



SECTION "A-A"



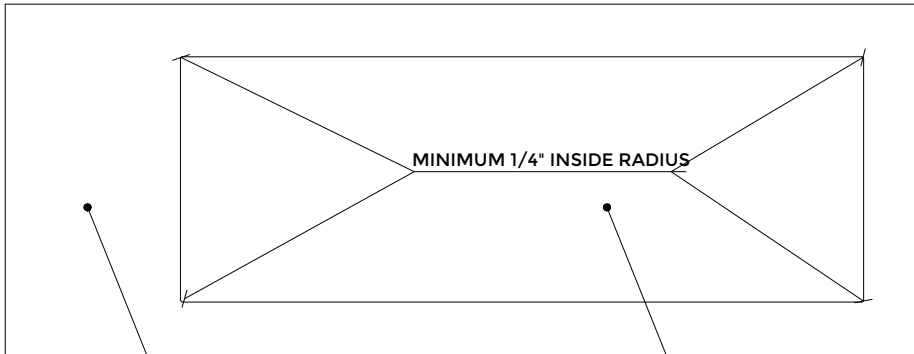
SECTION "A-A"



CAMBRIA

SOP 9.3.8F Installation for Food Service Applications
(Hyperlink)

TOP VIEW

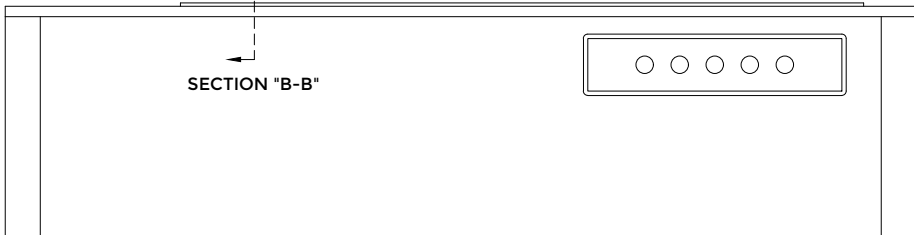


CAMBRIA PRODUCT

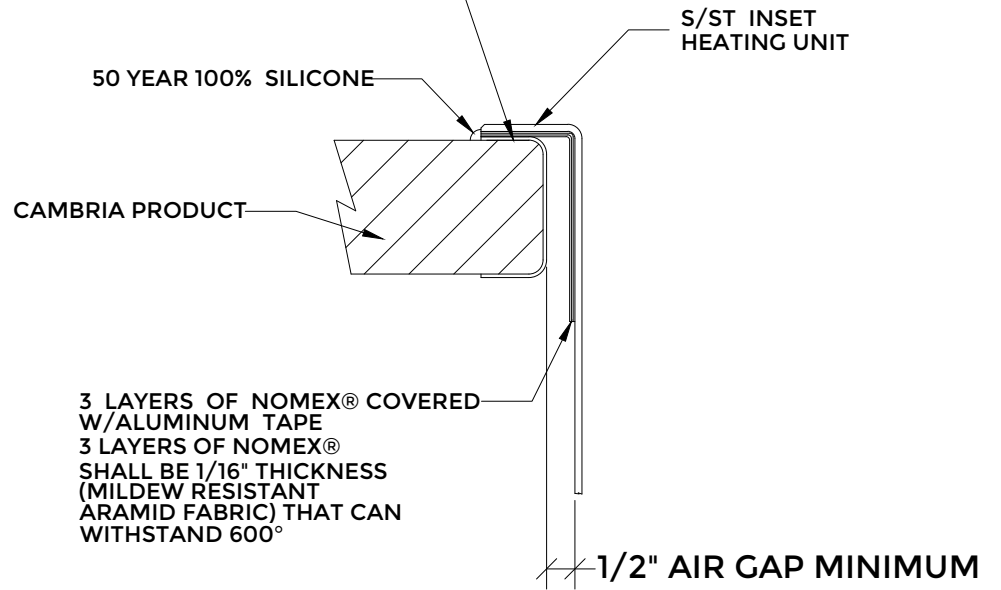
INSET HEATING UNIT

SECTION "B-B"

OPERATOR VIEW

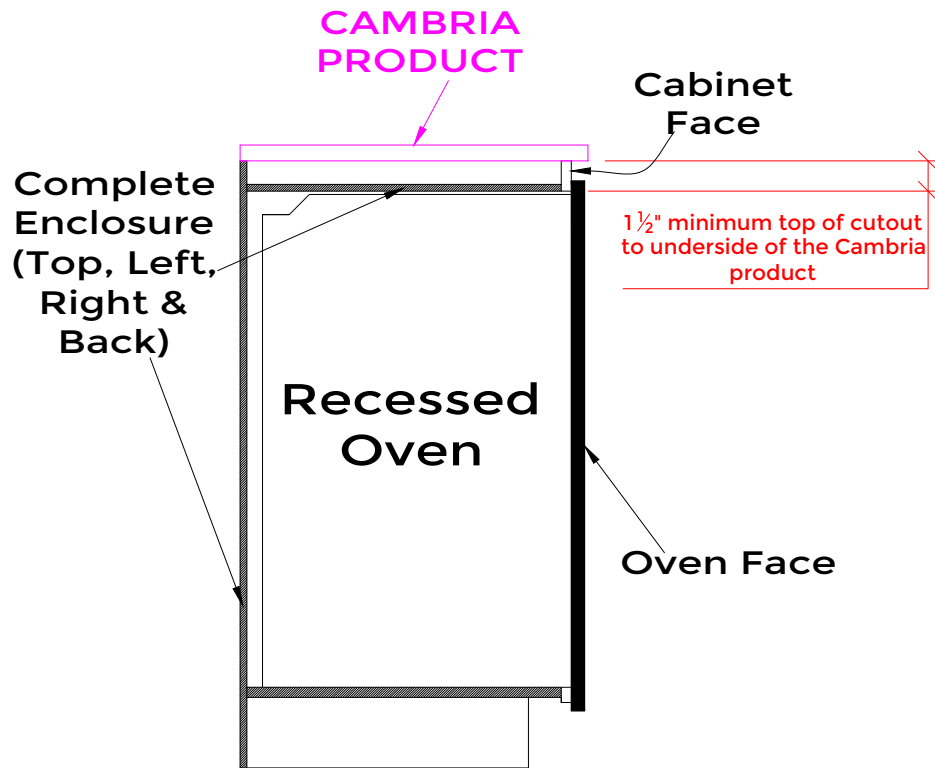


1 LAYER OF NOMEMX®
COVERED W/ALUMINUM TAPE
1 LAYERS OF NOMEMX®
SHALL BE 1/16" THICKNESS
(MILDEW RESISTANT
ARAMID FABRIC) THAT CAN
WITHSTAND 600°
COVER WITH ALUMINUM
HEAT TAPE

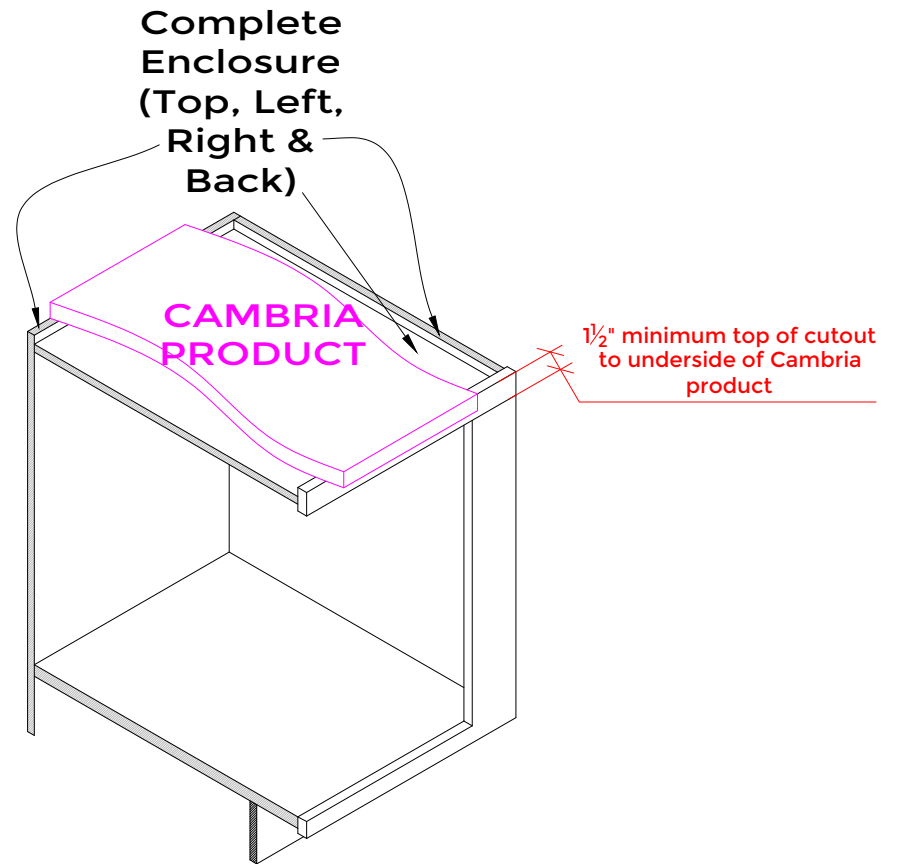


SECTION "B-B"





Side View

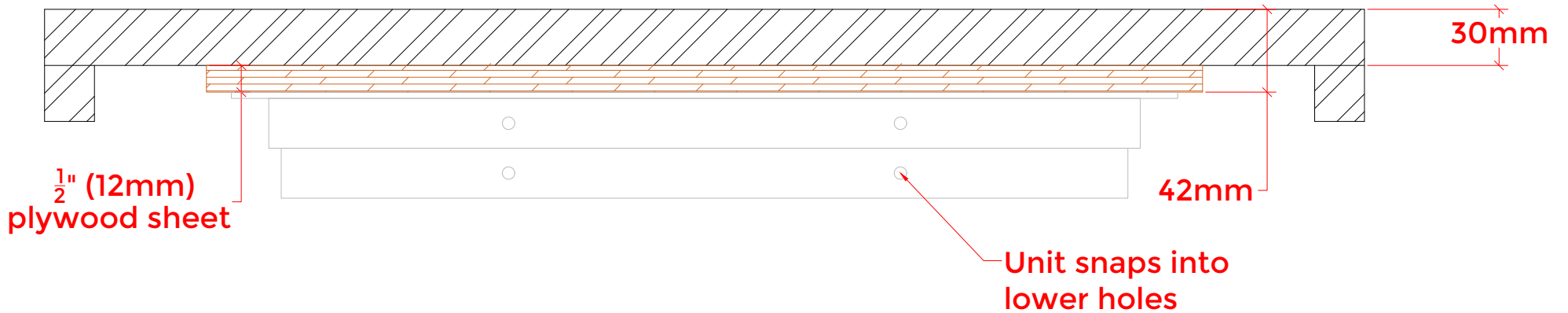


**Cabinet Box
Sectional
Cut**

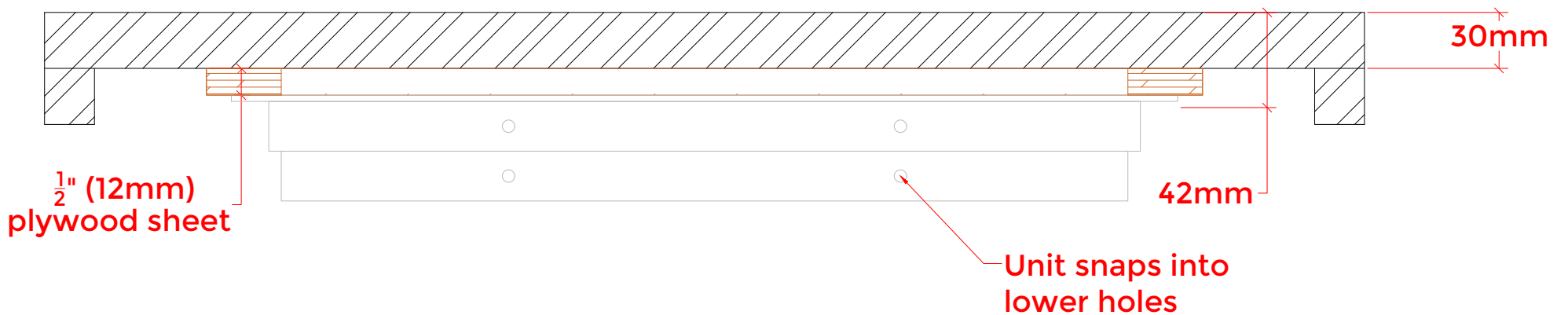


Incogneeto™ Installation Figures

1 1/4" (30mm) Cambria Countertop

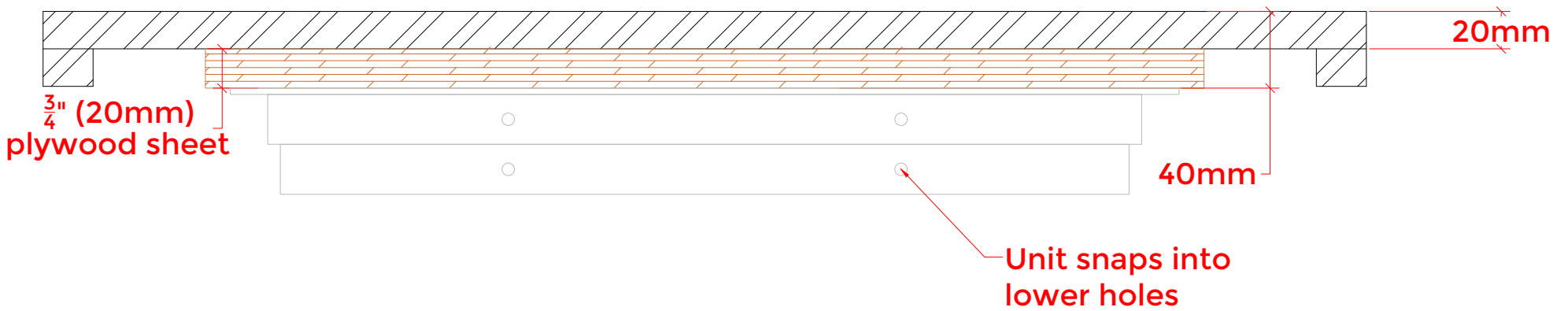


1 1/4" (30mm) Cambria Countertop



Incogneeto™ Installation Figures

3/4" (20mm) Cambria Countertop



C A M B R I A

SOP 9.3.8X Installation Guidelines for Cookteck by Turbochef Incogneeto Unit (Hyperlink)